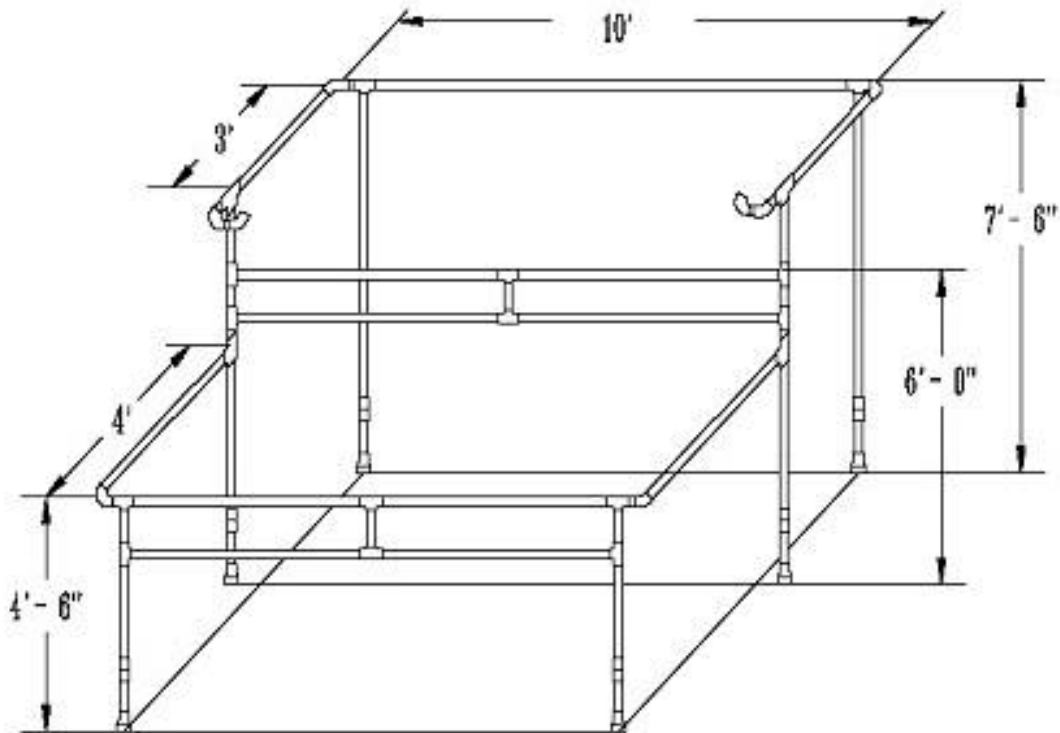


Puppet Stage Information



ALL MEASUREMENTS ARE FROM THE TOP RAILING

PUPPET STAGE PARTS LIST:

12 PIECES OF 10FT. 1 ½ PVC

18 OF 1 ½ T JOINTS

8 OF 1 ½ 90 DEGREE ELBOWS

6 OF 1 ½ X 1 ½ ADAPTER CUPLINGS

6 OF 1 ½ X 3 ADAPTER CUPLINGS

1 BOX OF ¼' PHILLIPS HEAD SCREWS (DRILL A HOLE AT EACH CONNECTION AND PUT IN A SCREW TO MAKE CONNECTION SECURE. DON NOT GLUE OR TAPE TOGETHER) THIS WILL MAKE STORAGE EASIER.

HEAVY POLY COTTON BLACK FABRIC (BLACK ONLY) VELCRO

- CURTAINS DO NOT HAVE TO BE ALL THE WAY TO THE FLOOR ON THE SECOND & THIRD TIER
- REDUCE TIER HEIGHT 12' FOR 3RD & 4TH GRADER. THIS CAN BE DONE BY ADAPTER AT THE BOTTOM OF EACH LEG. SIMPLY TAKE THE FOOT ADAPTER OFF, REMOVE THE BOTTOM PORTION OF EACH LEG AND REPLACE THE FOOT, WHICH WOULD MAKE THE MEASUREMENTS BE BOTTOM TIER HEIGHT 3'6" AND MIDDLE TIER 5' AND TOP TIER 6'6".
- SHOULD ONLY USE 1 ½ PVC PIPE, NO SMALLER